

DeLonghi

ELECTRIC OIL FILLED RADIATORS

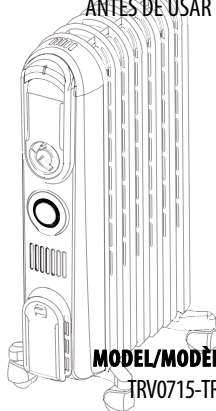
INSTRUCTIONS FOR USE
SAVE THESE INSTRUCTIONS

RADIATEURS À BAIN D'HUILE ÉLECTRIQUES

MODE D'EMPLOI
CONSERVEZ CE MODE D'EMPLOI

RADIADORES ELÉCTRICOS DE ACEITE

INSTRUCCIONES DE USO
GUARDE ESTAS INSTRUCCIONES
LEA CUIDADOSAMENTE ESTE INSTRUCTIVO
ANTES DE USAR SU APARATO



MODEL/MODÈLE/MODELO
TRV0715-TRV0715T

Register this product on-line and receive a free trial issue of Cook's Illustrated. Visit **www.delonghiregistration.com**
Visit **www.delonghi.com** for a list of service centers near you. (U.S. Only)

Enregistrez ce produit en ligne et recevez un numéro gratuit de Cook's Illustrated.
Visitez **www.delonghiregistration.com**
Visitez **www.delonghi.com** pour y voir une liste des centres de réparation proches de chez vous. (É.-U. uniquement)

Registre este producto en línea y reciba un ejemplar gratis de Cook's Illustrated.
Visite **www.delonghiregistration.com**
Visite **www.delonghi.com** para ver la lista de centros de servicios cercanos a usted. (Solamente en los Estados Unidos)

ELECTRIC CHARACTERISTICS/ CARACTÉRISTIQUES ÉLECTRIQUES
CARACTERÍSTICAS ELÉCTRICAS
120 V~ 60 Hz 1 500 W

IMPORTANT INSTRUCTIONS

When using electrical appliances, basic precautions should always be taken to avoid the risk of fire, electric shock and personal injury, including the following:

1. Read all instructions before using this heater.
2. If your radiator is equipped with a polythene tape used as carry handle, remove it before connecting appliance to the outlet.
3. This heater is hot when in use. To avoid burns, do not let bare skin touch hot surfaces. Use handle when moving this heater. Keep combustible materials, such as furniture, pillows, bedding, papers, clothes, and curtains at least 3 feet (0,9 m) from the front and top of the heater and keep them away from the sides and rear.
4. Extreme caution is necessary when any heater is used by or near children or invalids and whenever the heater is left operating and unattended.
5. Always unplug heater when not in use.
6. Check that neither the appliance nor the power cable have been damaged in any way during transportation.
7. **Do not operate any heater with a damaged cord or plug or after the heater malfunctions, has been dropped or damaged in any manner. If heater has leaked any oil, discontinue using the heater and contact the service center as indicated in the instruction leaflet. Return heater to authorized service facility for examination, electrical or mechanical adjustment, or repair.**
8. Do not use outdoors. Household use only.
9. This heater is not intended for use in bathrooms, laundry areas and similar indoor locations. Never locate heater where it may fall into a bathtub or other water container.
10. **Do not run cord under carpeting. Do not cover cord with throw rugs, runners, or similar coverings. Do not route cord under furniture or appliances. Arrange cord away from traffic area and where it will not be tripped over.**
11. To disconnect heater, turn controls to off, then remove plug from outlet.
12. Connect to properly polarized outlets only.
13. Do not insert or allow foreign objects to enter any ventilation or exhaust opening as this may cause an electric shock, fire, or damage the heater.
14. To prevent a possible fire, do not block air intakes or exhaust in any manner. Do not use on soft surfaces, like a bed, where openings may become blocked.
15. **A heater has hot and arcing or sparking parts inside. Do not use in areas where gasoline, paint, or flammable liquids are used or stored.**
16. Use this heater only as described in this manual. Any other use not recommended by the manufacturer may cause fire, electric shock, or injury to persons.
17. To prevent overload and blown fuses, be sure that no other appliance is plugged into the same outlet (receptacle) or into another outlet (receptacle) wired into the same circuit.
18. It is normal for the heater's plug and cord to feel warm to the touch. A plug or cord which becomes hot to the touch or becomes distorted in shape may be a result of a worn electrical outlet. Worn outlets or receptacles should be replaced prior to further use of the heater. Plugging heater into a worn outlet /receptacle/ may result in overheating of the power cord or fire.
19. Always plug heaters directly into a wall outlet/receptacle. Never use with an extension cord or relocatable power tap (outlet/power strip).
20. Be sure that the plug is fully inserted into an appropriate outlet. Please remember that outlets also deteriorate due to aging and continuous use: check periodically if signs overheating or deformations are evidenced by the plug. Do not use the outlet and CALL your electrician.
21. Make sure that no pieces of polystyrene or other packaging material have been left between one element of the appliance and another. It may be necessary to pass over the appliance with a vacuum cleaner.

22. When switching on the appliance for the first time, allow it to run at full power for about two hours to get rid of the unpleasant smell. Make sure that the room in which the appliance is located is well ventilated during this operation. It is normal for the appliance to emit small cracking sounds when you turn it on for the first time.
23. Do not cover the appliance while it is functioning in order to avoid overheating with the attendant risk of fire.

SAVE THESE INSTRUCTIONS For Household use only

RADIATOR OPERATION AND USE

MODELS WITH "EASY WHEEL" SYSTEM

Turn the radiator upside down onto a cloth or other soft surface to avoid damaging the paint. Open the wheels out fully (Fig. 1). Put the radiator back in the upright position.

ATTENTION

Always use the radiator in the upright position (wheels at the bottom, controls at the top). Any other position can create a dangerous situation!

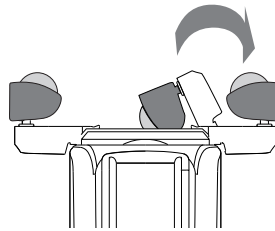


fig. 1

DESCRIPTION OF THE APPLIANCE

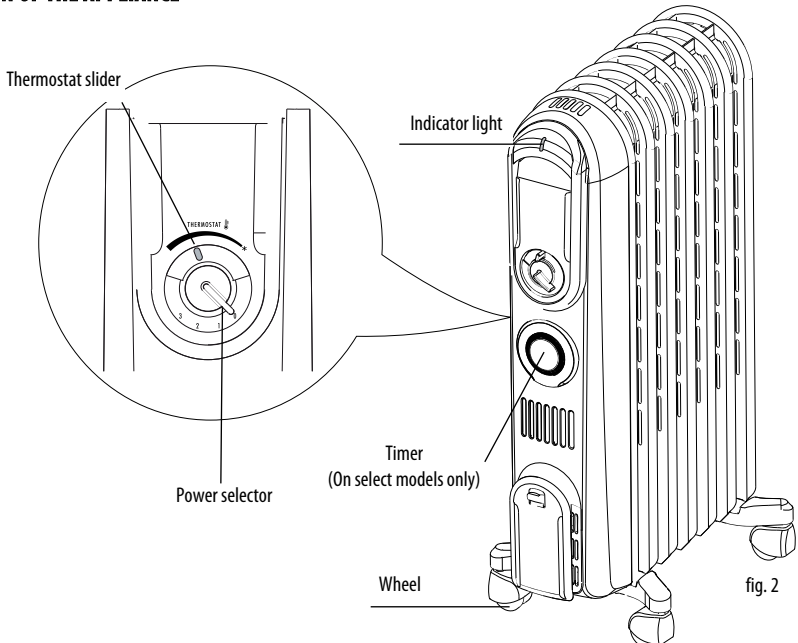


fig. 2

1. LOCATION

Place heater on the floor beneath the coldest window in the room, or any other location. Your heater will reduce the effect of cold drafts. The heater should not be placed immediately below a power outlet. Do not use this radiator in rooms with a floor area of less than 43 square feet (4 sq. m.).

2. CONNECTION

The radiator should be connected to a properly polarized A/C 110/120 V household outlet in good condition. Keep loose clothing or bedding, furniture and flammable material away from the heater's wall outlet.

3. TURNING ON

Insert the plug into an electrical outlet, rotate the thermostat slider (if provided) to maximum and turn the unit on as follows using the power selector:

- Turn the power selector to position **1** to select minimum output (the light comes on).
- Turn the power selector to position **2** to select medium output (the light comes on).
- Turn the power selector to position **3** to select maximum output (the light comes on).

4. WATTS ECONOMIZER

For more efficient operation, use power setting 1 or 2 after your desired temperature has been reached.

Adjusting the thermostat

When the room has reached the desired temperature, turn the thermostat slider slowly in a clockwise direction, stopping when you hear a click sound. The unit will maintain the set temperature and conserve energy by cycling on and off.

If your unit has three power settings, on days when temperatures are not particularly cold, select minimum output to optimize efficiency and energy savings.

Antifreeze function

Turn the thermostat dial to the ❄️ and select the maximum power. The appliance will maintain a minimum room temperature of approximately 42°F (5°C), thus preventing freezing temperatures while conserving energy. In models that come with a timer, tabs must be set in the inward position.

REMINDER

To completely shut the appliance off, turn the power selector to the **0** position and then unplug the appliance from the outlet.

5. TIMER (ON SELECTED MODELS)

ABOUT THE TIMER The programmable clock timer allows you to preprogram every 15 minute period of the 24 hour day. So the heater conserves energy by operating only when you need it!!

Clock setting

The programmable timer, as with all clocks, must be set to the correct time. If for example the time is 1:30 pm, rotate the dial clockwise (following the direction of the arrow) until 13:30 is aligned with the triangular pointer.

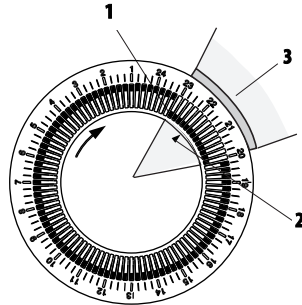
IMPORTANT:

DO NOT ROTATE CLOCK DIAL COUNTER-CLOCKWISE.

The timer is in effect an electric clock and would only work while it is plugged into a power supply.

When unplugged, the timer stops and must be later re-set.

HOW TO USE THE TIMER



To programme heating, proceed as follows:

- Look at the time on your clock or watch. If it is 22.00 pm, turn the numbered timer disk clockwise until the number 22 on the disk coincides with the pointer ▲ (2) on the timer. Set the periods of time when you want the appliance to be on by pushing the notches (1) inward, and outward when you want the appliance to be off. Each notch (1) corresponds to a period of 15 minutes. When set, the radiator will operate automatically each day during the times programmed (important: the radiator must always be plugged into an outlet).
- To change the programming, move the notch back into the initial position and set the new periods of functioning.
- If you want the appliance to operate without programming, push all the notches to the center. In this case, to shut the appliance off completely, turn the power setting to "0", and unplug the appliance from the outlet. This will avoid continued operation of the timer

OVERHEATING PROTECTION

The appliance is fitted with a **safety device** which will switch off the heater in case of accidental overheating. To start the radiator up again, call the nearest service center.

6. MAINTENANCE AND SERVICE

Always unplug the heater from the power outlet and allow the radiator to cool. Wipe radiator with a soft damp cloth; do not use detergents and abrasives.

Should the radiator not be in use over a certain length of time, roll the cable around the holder and store it in a dry place.

This appliance has been built to last for many years of trouble-free service.

In case of malfunction or doubt, do not try to repair the heater by yourself: this might increase the risk of fire and electric shock.

Call your nearest Service Center (see attached list of Service Centers).

Your product is equipped with a polarized alternating current line plug (a plug having one blade wider than the other). There is only one way it can be plugged into a power supply. This is a safety feature. If you are unable to insert the plug fully into the outlet, try again by turning it the other way. If it would still not go in, it is probably due to an obsolete outlet which should be replaced. Do not tamper with the plug or outlet to defeat the purpose of this safety mechanism.



LIMITED WARRANTY

This warranty applies to all products with De'Longhi or Kenwood brand names.

What does the warranty cover?

We warrant each appliance to be free from defects in material and workmanship. Our obligation under this warranty is limited to repair at our factory or authorized service center of any defective parts or part thereof, other than parts damaged in transit. In the event of a products replacement or return, the unit must be returned transportation prepaid. The repaired or new model will be returned at the company expense.

This warranty shall apply only if the appliance is used in accordance with the factory directions, which accompany it, and on an Alternating current (AC) circuit.

How long does the coverage last?

This warranty runs for one year (1) from the purchase date found on your receipt and applies only to the original purchaser for use.

What is not covered by the warranty?

The warranty does not cover defects or damage of the appliance, which result from repairs or alterations to the appliance outside our factory or authorized service centers, nor shall it apply to any appliance, which has been subject to abuse, misuse, negligence or accidents. Also, consequential and incidental damage resulting from the use of this product or arising out of any breach of contract or breach of this warranty are not recoverable under this warranty. Some states do not allow the exclusion or limitation of incidental or consequential damage, so the above limitation may not apply to you.

How do you get service?

If repairs become necessary, see contact information below:

U.S. Residents: Please contact our toll free hotline at 1-800-322-3848 or log onto our website at www.delonghi.com

Residents of Canada: Please contact our toll free hotline at 1-888-335-6644 or log onto our website at www.delonghi.com

Residents of Mexico: Please contact our toll free number 01-800-711-8805 for assistance or log onto our website at www.delonghi.com

The above warranty is in lieu of all other express warranties and representations. All implied warranties are limited to the applicable warranty period set forth above. This limitation does not apply if you enter into an extended warranty with De'Longhi. Some states/countries do not allow limitations on how long an implied warranty lasts, so the above exclusions may not apply to you. De'Longhi does not authorize any other person or company to assume for it any liability in connection with the sale or use of its appliance.

How does country law apply?

This warranty gives you specific legal rights, and you may also have other rights, which vary from state to state/country to country.